

BEST AVAILABLE COPY

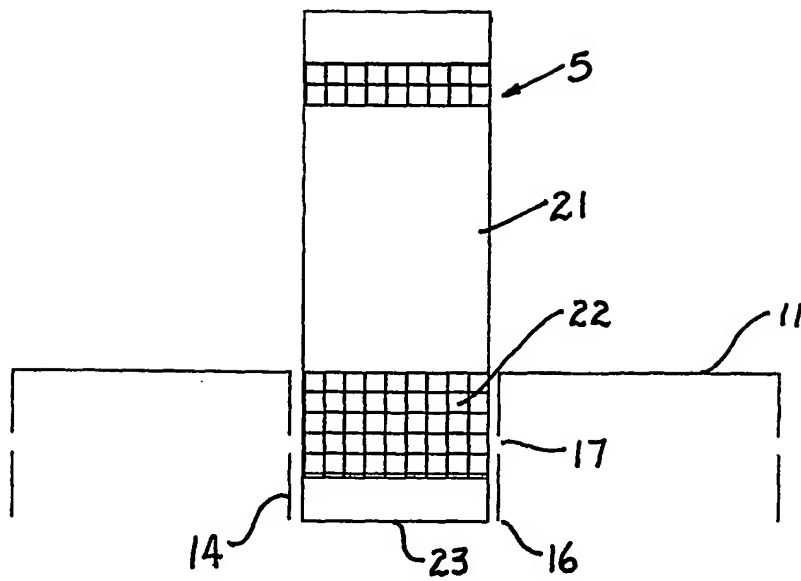


Fig. 2